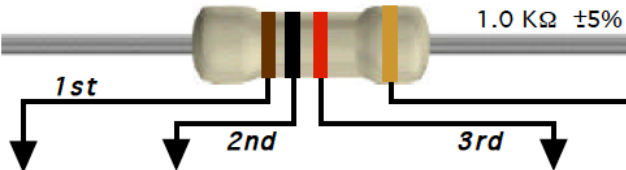


RESISTOR COLOR CODE GUIDE

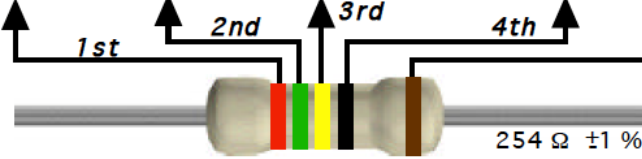
4- Band Code



1.0 KΩ ±5%

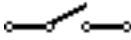


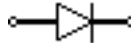

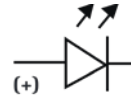
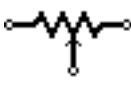

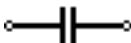

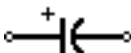

Color	1st Band	2nd Band	3rd Band	Decimal Multiplier		Tolerance
Black	0	0	0	1	1	
Brown	1	1	1	10	10	± 1 %
Red	2	2	2	100	100	± 2 %
Orange	3	3	3	1K	1,000	
Yellow	4	4	4	10K	10,000	
Green	5	5	5	100K	100,000	
Blue	6	6	6	1M	1,000,000	
Violet	7	7	7	10M	10,000,000	
Gray	8	8	8	100,000,000		
White	9	9	9	1,000,000,000		
Gold				0.1		± 5 %
Silver				0.01		± 10 %
None						± 20 %

5- Band Code



254 Ω ±1 %

SCHEMATIC SYMBOLS

	Switch		DC Voltage Source
	Ground		Diode
	Resistor		Light Emitting Diode
	Variable Resistor		MOSFET
	Capacitor		Microphone
	Polarized Capacitor		Op Amp